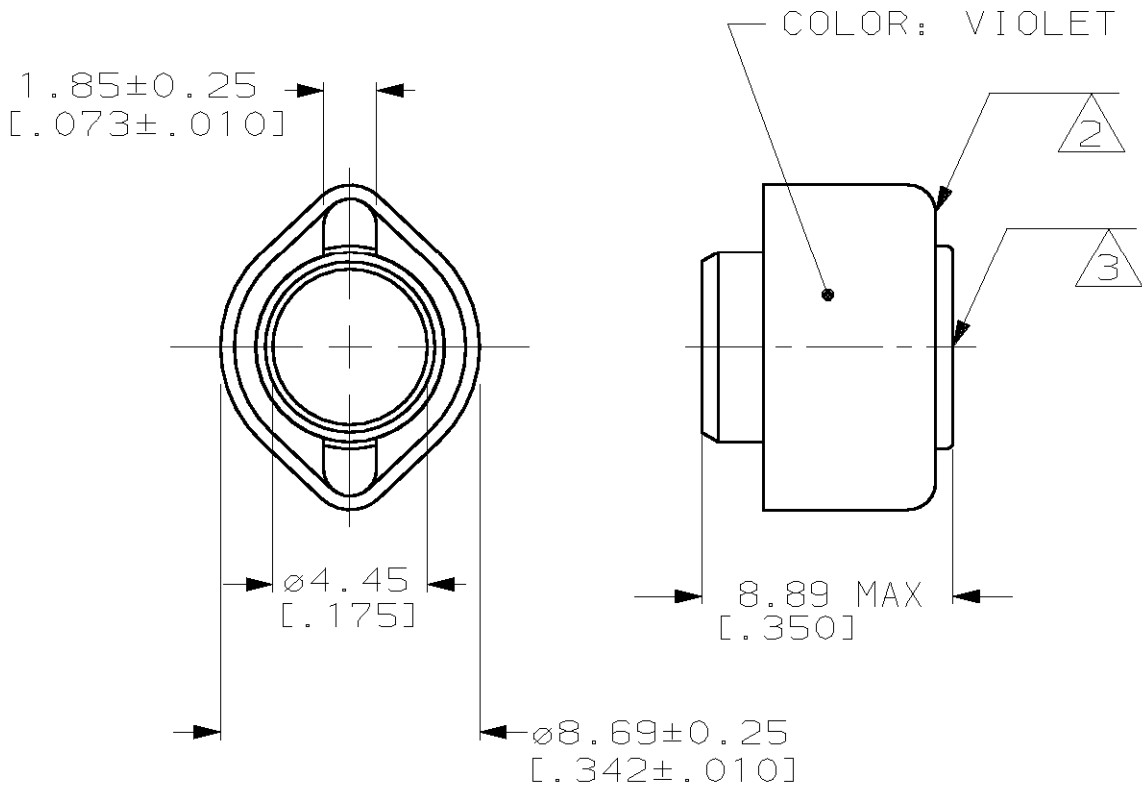


LOC	DIST	REVISIONS					
AJ	16	P	LTR	DESCRIPTION	DATE	DWN	APVD
			M	REV PER OU20-0563-00	19OCT00	MO	JL



INSULATION SIZE: 3.30-3.68 DIA  
[0.130-.145]

- 1 ZINC PLATE PER QQ-Z-325
- 2 COPPER PER QQ-C-576
- 3 BRASS PER ASTM-B-16
- 4 TIN PLATE PER MIL-T-10727

4	2-327137-2
1	327137
FINISH	PART NUMBER

RELEASED FOR PUBLICATION

THIS DRAWING IS UNPUBLISHED.

BY AMP INCORPORATED. ALL RIGHTS RESERVED. © COPYRIGHT 19

DIMENSIONS: mm [INCHES]	DWN J.L. GROFT	MATERIAL SEE NOTES	FINISH SEE NOTES
TOLERANCES UNLESS OTHERWISE SPECIFIED:	CHK S. BURKHOLDER	AMP Incorporated Harrisburg, PA 17105-3608	
0 PLC ±-	APVD S. BURKHOLDER		
1 PLC ±-	PRODUCT SPEC -	NAME FERRULE ASSEMBLY, TERMASHIELD	
2 PLC ±-	APPLICATION SPEC -	SIZE A4	CAGE CODE 00779
3 PLC ±.005	WEIGHT -	DRAWING NO C-327137	
4 PLC ±-		SCALE 4:1	SHEET 1 OF 1
ANGLES ±-		REV M	
CUSTOMER DRAWING			